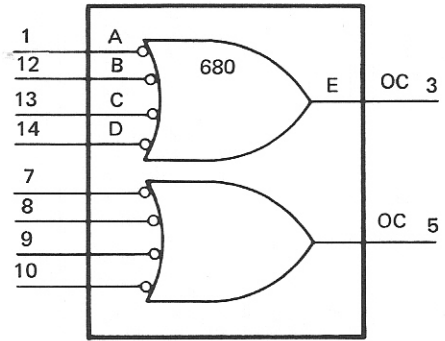
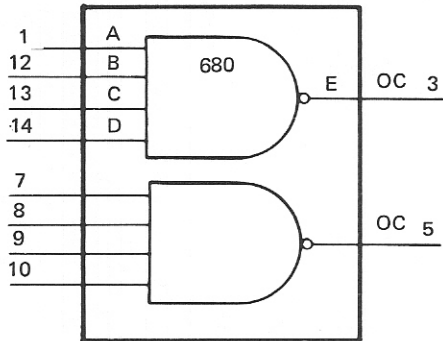


The Core Memory Project

DUAL, 4-INPUT NAND GATE,  
 OPEN COLLECTOR

007-1668001



Function Table				
Inputs				Outputs
A	B	C	D	E
L	L	L	L	H
L	L	L	H	H
L	L	H	L	H
L	L	H	H	H
L	H	L	L	H
L	H	L	H	H
L	H	H	L	H
L	H	H	H	H
H	L	L	L	H
H	L	L	H	H
H	L	H	L	H
H	L	H	H	H
H	H	L	L	H
H	H	L	H	H
H	H	H	L	H
H	H	H	H	L

H = High voltage level  
 L = Low voltage level  
 Vcc = Pin 11  
 GND = Pin 4

Load resistors are connected to pins 2 and 6.