

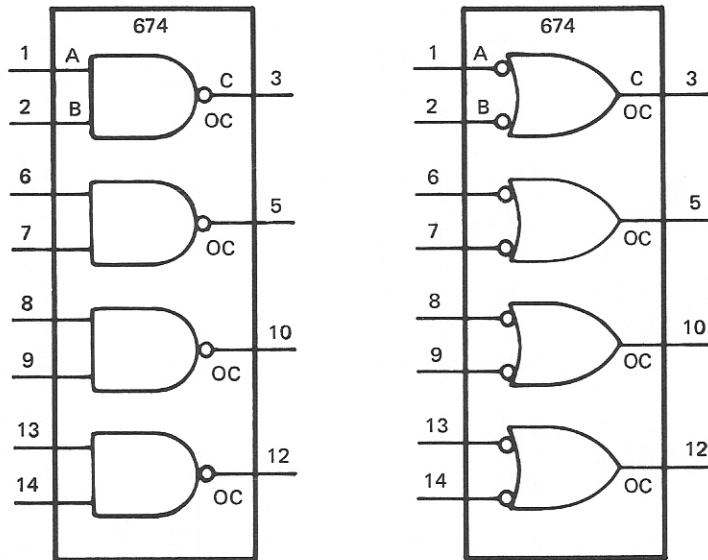
The Core Memory Project

QUAD 2-INPUT NAND

007-1667401

The 674 chip contains four 2-input NAND gates, each of which can perform either the AND or the OR function with the proper external load resistor. The active state of the AND function produces a low at the output when both inputs are high. The AND function is inhibited by a low at one or both inputs.

The active state of the OR function produces a high at the output when one or both inputs are low. The OR function is inhibited only if both inputs are high.



Function Table		
Inputs		Output
A	B	C
Any Low		H
All High		L

A = Input
 B = Input
 C = Output
 H = High Voltage Level
 L = Low Voltage Level
 Pin 4 = Ground
 Pin 11 = Vcc
 Typical Delay - 65 nsec.